

SPRING RETURN DAMPER ACTUATORS

ACTUATORS

DxFx.20

20 Nm, ON/OFF, FLOATING AND PROPORTIONAL CONTROL

The DxFx.20 Series Actuators are direct mount, Spring Return Electric that provide reliable control of dampers and valves in Heating, Ventilating, and Air Conditioning (HVAC) Systems.

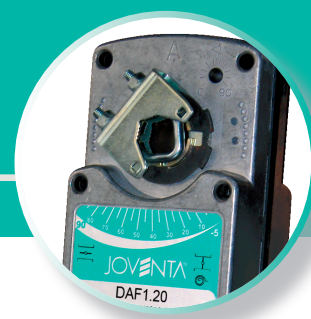
The actuators are available for use with ON/OFF, floating, and proportional controllers. These bidirectional actuators do not require a damper linkage, and are easily installed on dampers.



FEATURES

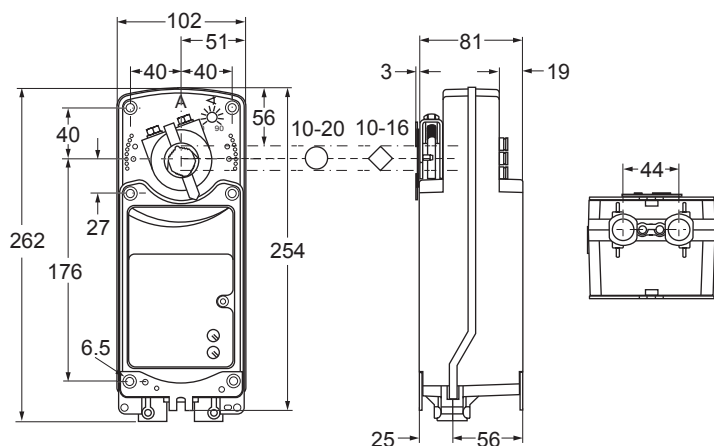
- ON/OFF, Floating and Proportional control
- Two or three models mounted in tandem deliver twice or triple the torque
- Up to 5 actuators in parallel operation possible
- Optional adjustable end stops.
The optional adjustable end stops are used to shorten the actuator stroke electronic stall detection throughout entire rotation range that extends the life of the actuator by deactivating the actuator motor when an overload condition is detected
- Integrated cables halogen-free cables
- IP54 (NEMA2)
- Rated aluminium enclosure
- Easy-to-use locking manual override with auto release and crank storage
- Energy saving at end position
- Two integral gold auxiliary switches (20S Models)

SPRING RETURN DAMPER ACTUATORS



DxFx.20

DIMENSIONS (in mm)



ORDERING INFORMATION

CODES	TORQUE (Nm)	RUNNING TIME (s/mm)		CONTROL SIGNALS	SUPPLY VOLTAGE (50/60 Hz)	2 AUXILIARY CONTACTS
		Motor	Spring			
DBF1.20	20	150	20	ON/OFF and Floating	AC/DC 24 V	---
DBF1.20S						■
DAF2.20						---
DAF2.20S		25...57	11...15	ON/OFF	230 VAC	■
DAF1.20						---
DAF1.20S						■
DMF1.20						150
DMF1.20S		■				
DHF1.20		Proportional 0(2)...10 VDC with span offset	---			
DHF1.20S			■			